

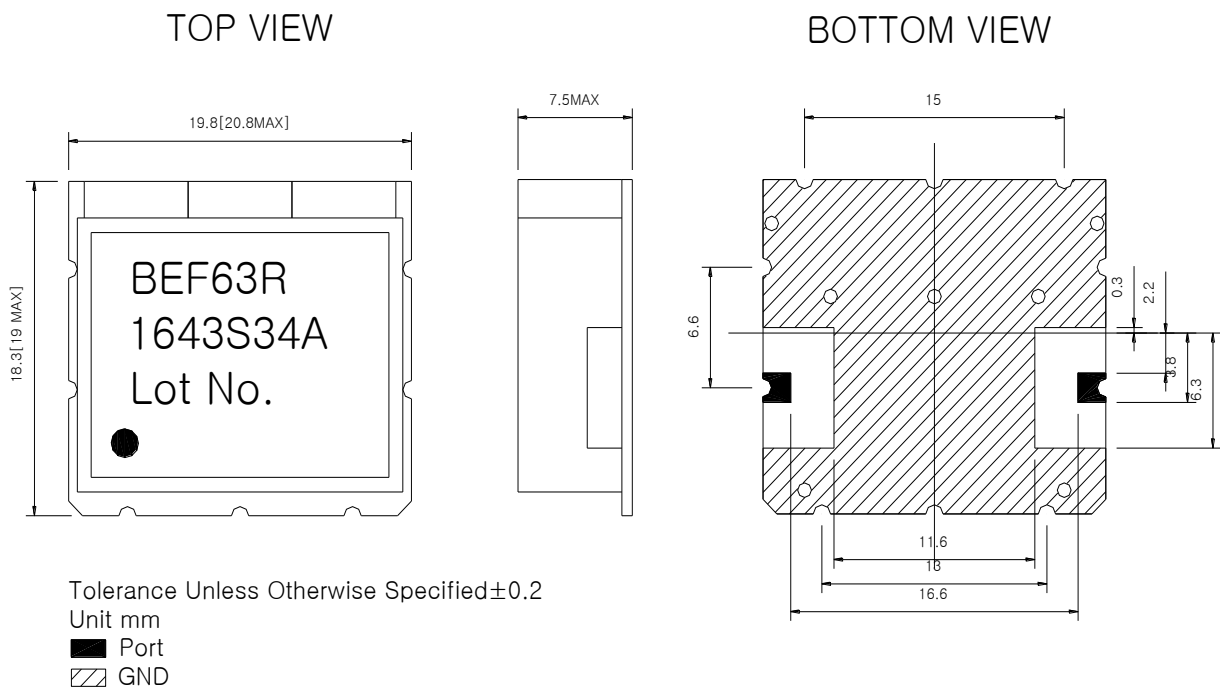
Part No.	BEF63R1643S34A
Date	2019.05.21

Written	Checked	Approved
J.T.G		

1. Electrical Specifications.

ITEM	
Center Frequency	1643.5 MHz
Pass Band-width (BW)	DC~ 1585 MHz
Insertion Loss in BW (+25°C)	1.1 dB max.
Insertion Loss in BW (-40°C ~ +85°C)	1.4 dB max.
Ripple in BW	1.0 dB max.
Return loss in BW	12 dB min.
In/Out Impedance	50 Ω
Peak Power	3 W max.
Attenuation	20 dB min. @1626.5 ~1660.5 MHz
Operation Temperature	-40°C ~ +85°C

2. Dimensions.



3. Data

21 May 2019 02:22:46

CH1 S11 LOG 5 dB/REF 0 dB 3:-1.4306 dB 1 660.500 000 MHz
 CH2 S21&M LOG 10 dB/REF 0 dB 3:-24.664 dB

